



FL 12.5LT
Bucket technical characteristics

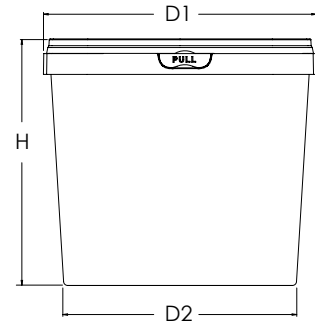
Dimensions

D1: 290 mm

D2: 244 mm

H: 270 mm *without the lid*

Deviation ± 1mm



Other elements

Capacity (LT)	Volume to rim 11.160 LT	Brim full volume 13.760 LT
Net weight / Deviation (±2.5%)	430 gr	
Handle	Plastic	Weight 19.5 gr
	Metallic	Weight 43 gr
Buckets packaging	Pallet 440 pcs ή 800 pcs	
Decoration	IML Label 801X239 mm	Dry Offset 800X200 mm
Packaging	4 Vertically	



Lid technical characteristics

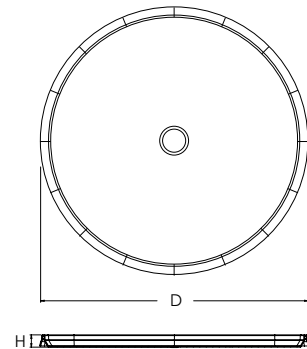
FL 12.5LT

Dimensions

D: 292 mm

H: 185 mm

Deviation ± 1mm



Other elements

Lid weight (gr) Deviation (±2.5%)	100 gr
Lid packaging	Pallet 2200 pcs

USEFUL STORAGE INFORMATION: To preserve the quality of this product, it is recommended that it be stored in its original packaging, away from any source of local heat and moisture, away from direct sunlight (below 30°C) and dry conditions. It is recommended that the product be allowed to reach operating temperature 24 hours before use.

RAW MATERIAL: Polypropylene (PP)



ISO 22000/ISO 9001/FSSC 22000

